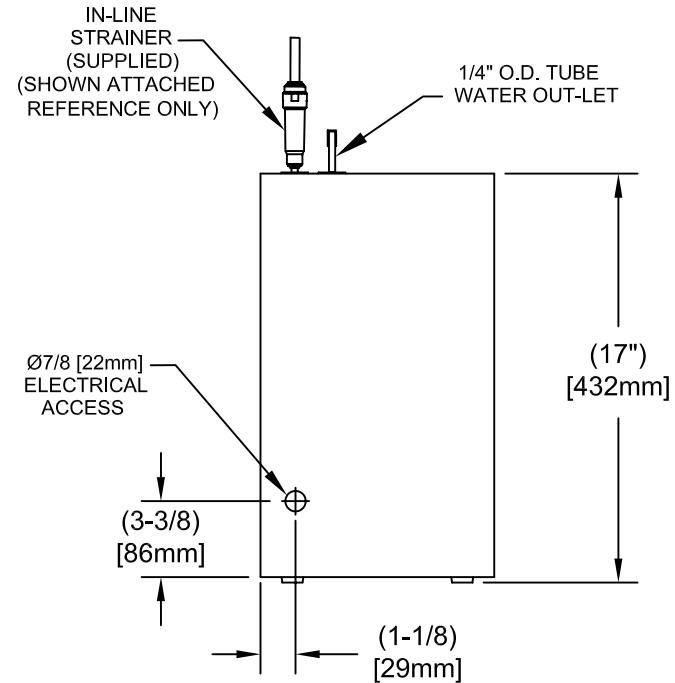


LEGEND

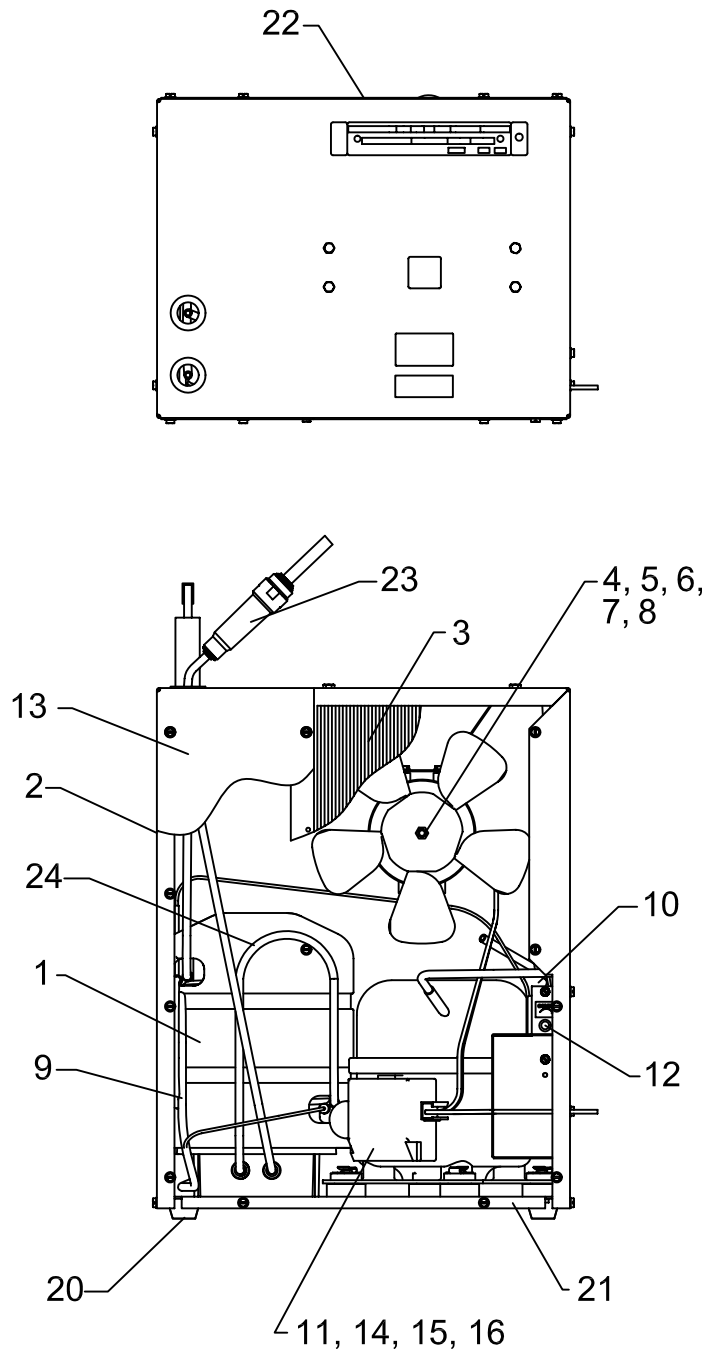
- A = 1/4" O.D. TUBE WATER OUTLET
- B = 1/4" O.D. TUBE WATER INLET
- C = TEMPERATURE ADJUSTMENT
- D = ELECTRICAL

NOTES:

1. ALLOW 4 INCHES [102mm] PER SIDE FOR VENTILATION.
2. IT IS RECOMMENDED THAT ALL WATER OUTLETS BE NOT MORE THAN 7 FEET FROM THE CHILLER AND ALL COLD WATER PIPING BE COVERED WITH SPONGE RUBBER OR ICE WATER TYPE INSULATION OF ADEQUATE THICKNESS.
3. MAKE SURE POWER SUPPLY IS IDENTICAL IN VOLTAGE, CYCLE, AND PHASE TO THAT SPECIFIED ON THE COOLER SERIAL PLATE. NEVER WIRE COMPRESSOR DIRECTLY TO POWER SUPPLY.
4. MODEL NUMBERS AS LISTED ON UNITS:
 FOR HCR8: HCR8*1J (115V, 60HZ, 5 AMPS)
 FOR HCR8.50: HCR8*2J (220V, 50HZ, 2 AMPS)



		1455 KLEPPE LANE SPARKS, NEVADA 89431 (775) 359-4712 FAX (775) 359-7424 E-MAIL: HAWS@HAWS.CO.COM WEBSITE: WWW.HAWS.CO.COM	
		ECN NO. 4403 DRAWN BY: H. MERRITT APPROVED:	REVISIONS:
SCALE: 1:8		DRAWING TYPE: INSTALLATION	
SIZE: A		SHEET 1 OF 3	



HCR8 115V/60HZ/5 AMPS ITEMIZED PARTS LIST


ITEM	PART NO.	DESCRIPTION
1	66543C	EVAPORATOR TANK ASSY
2	28478C	CABINET
3	66743C	CONDENSER
4	31490C	MOTOR - FAN 115V
5	20282C	BRACKET - FAN MOUNTING
6	30664C	BLADE - FAN
7	70018C	NUT - FAN BLADE
8	56237C	SHROUD - FAN
9	66576C	HEAT EXCHANGER
10	66703C	DRIER
* 11	36094C	COMPRESSOR SERVICE PAK
12	31513C	COLD CONTROL
13	28477C	PANEL - FRONT
14	35768C	COVER - RELAY
15	36158C	OVERLOAD
16	35959C	RELAY
17	100806740570	GROMMET
18	101516143550	STUD - COMP. MOUNTING
19	19037000	CLIP
20	50930C	BUMPER
21	27303C	BASEPLATE
22	22300C	PANEL - REAR
23	55996C	IN-LINE STRAINER
24	66723C	EVAPORATOR TUBE

HCR8.50 220V/50HZ/2 AMPS

ITEM	PART NO.	DESCRIPTION
4	31430C	MOTOR - FAN 220V
9	66576C	HEAT EXCHANGER
* 11	36085C	COMPRESSOR SERVICE PAK
15	36195C	OVERLOAD
16	36050C	RELAY

***INCLUDES RELAY AND OVERLOAD. IF UNDER WARRANTY, REPLACE WITH SAME COMPRESSOR USED IN ORIGINAL ASSEMBLY.**

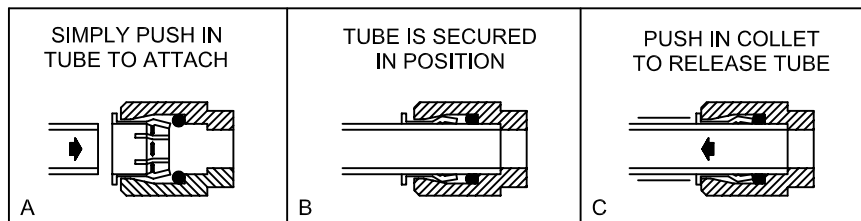
NOTE: ALL CORRESPONDENCE PERTAINING TO ANY OF THE ABOVE WATER COOLER OR ORDERS FOR REPAIR **MUST** INCLUDE MODEL NUMBER AND SERIAL NUMBER OF COOLER, NAME AND NUMBER OF REPLACEMENT PART.



1455 KLEPPE LANE
SPARKS, NEVADA 89431
(775) 359-4712 FAX (775) 359-7424
E-MAIL: HAWS@HAWS.CO.COM
WEBSITE: WWW.HAWS.CO.COM

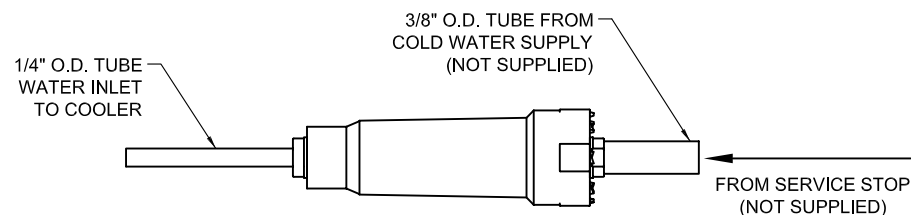
ECN NO. REVISED PER BY: 4403 ECN: 4217 HM	MODEL(S) HCR8 (115V)/HCR8.50 (220V)	PART NUMBER: 0002075001.D
DRAWN: HM	DATE: 06/08/10	DRAWING NO.: 15352A00
APPROVED:	DATE:	REV: 5
SCALE: 1:1		DRAWING TYPE: INSTALLATION
		SIZE: A SHEET 2 OF 3

OPERATION OF QUICK CONNECT FITTINGS

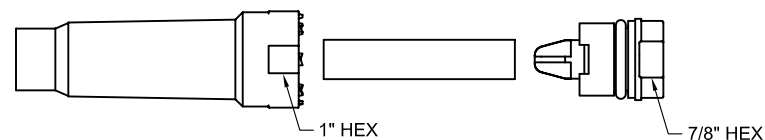


PUSHING TUBE IN BEFORE PULLING IT OUT HELPS TO RELEASE TUBE

INLET STRAINER ASSEMBLY



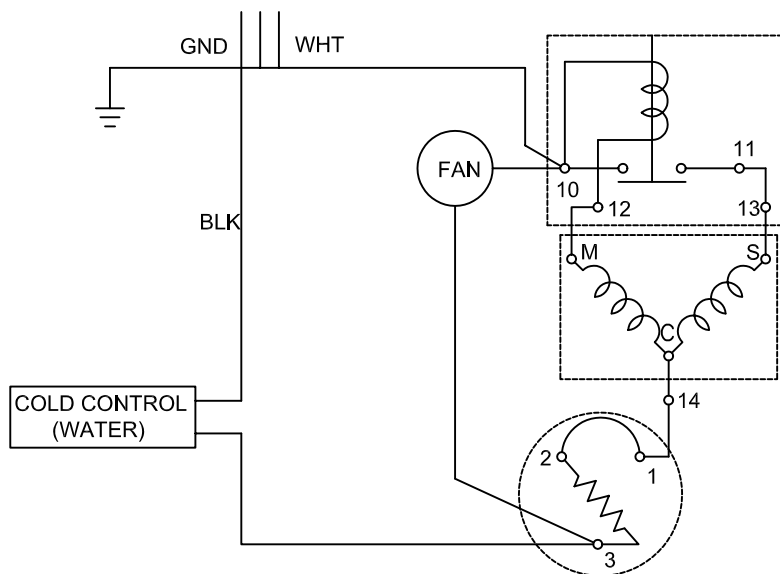
NOTE: WATERFLOW DIRECTION



RESTRICTED WATER FLOW MAY BE CAUSED BY CLOGGED SCREEN. REMOVE PLUG AND SCREEN. CLEAN SCREEN AND REPLACE. LUBRICATE O-RING WITH FOOD GRADE PHARMACEUTICAL MINERAL OIL. DO NOT OVERTIGHTEN PLUG OR FITTINGS.

WIRING DIAGRAM

THIS DRAWING IS FOR ILLUSTRATING THE COMPONENTS OF THE ELECTRICAL SYSTEM ONLY



		1455 KLEPPE LANE SPARKS, NEVADA 89431 (775) 359-4712 FAX (775) 359-7424 E-MAIL: HAWS@HAWS.CO.COM WEBSITE: WWW.HAWS.CO.COM	
ECN NO. 4403 DRAWN: HM APPROVED:	REVISED BY: HM ECN: 4217 DATE: 06/08/10	MODEL(S) HCR8 (115V)/HCR8.50 (220V) REMOTE CHILLER	PART NUMBER: 0002075001.D DRAWING NO.: 15352A00 5
SCALE: 5:1		DRAWING TYPE: INSTALLATION	
SIZE: A		SHEET 3 OF 3	